

## SG-IR850-5ML

### - 500m Distance 850nm Lite Infrared Laser Illuminator Module



#### 1. Features

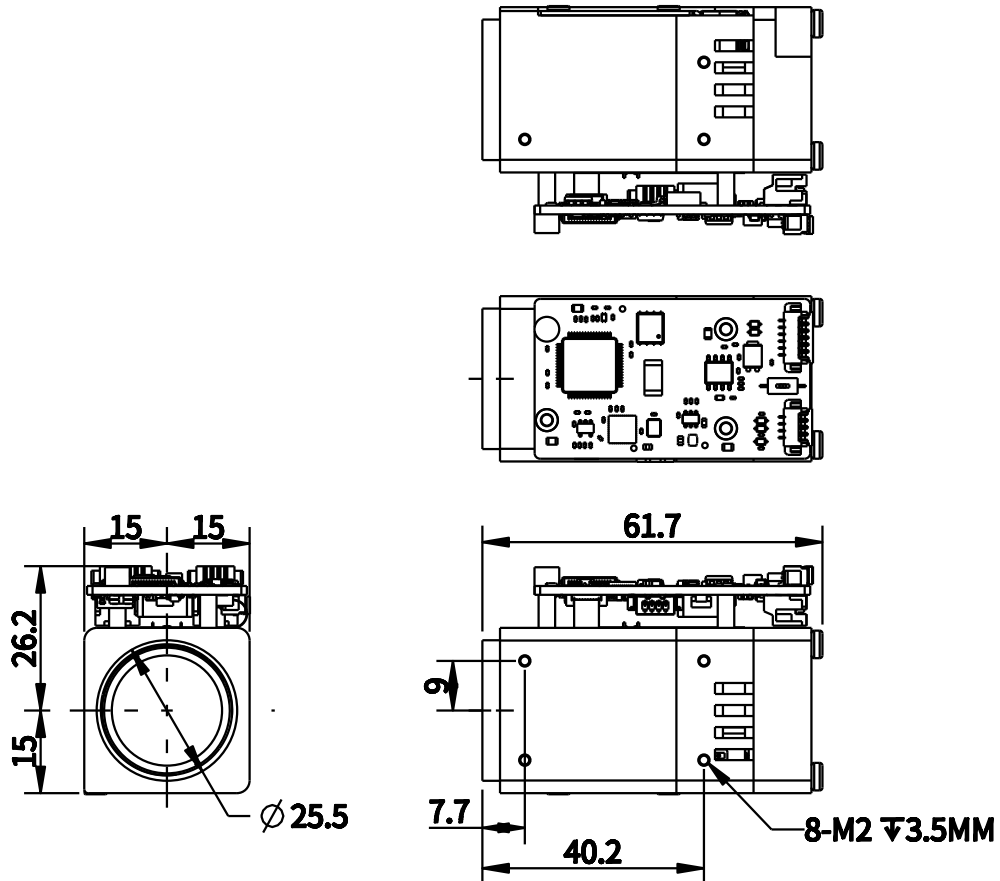
- > Intelligent auto-dimming, Smart match, Hot-swappable.
- > -40°C low temperature cold starting.
- > VCSEL Laser.
- > Clear picture and spot boundary.
- > Small size design.

#### 2. Specification

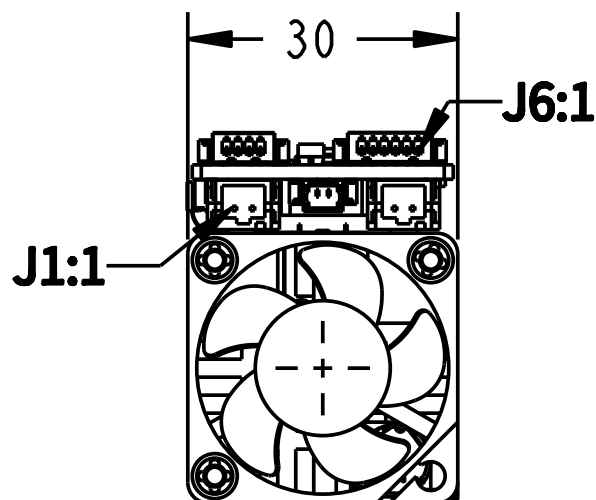
Model	SG-IR850-5ML
Effective Distance	≥500m
Mode	VCSEL
Wavelength	850±10nm
Laser Safety Classification	Class 3B
Input Power	<10.0W
Laser Chip Power	2.2±0.3W
Output Light Power	2.0±0.3W
Laser Beam Angle	Far Angle 1.8°, Effective Distance>500m, Beam Spot Diameter < φ16m Near Angle 71°, Effective Distance>40m
Zoom Speed	≤ 3s (Far Angle ~ Near Angle)
Control Mode	UART_TTL, RS-485, Manual
Communication Interface	RS-485, TTL232, Manual Control
Communication Protocol	Pelco-D (9600bps Default, 115200bps, 4800bps, 2400bps for optional)
Working Mode	Continues
Service Life	≥ 50000H
Input Power	DC12V±10%
Operation Current	<0.9A

Operation Temperature	-40°C~+70°C
Storage Temperature	-40°C~+80°C
Dimension	61.7mm*30mm*41.2mm
Weight	Approx. 85g

### 3. Dimension:



### 4. Interface Definition:



Type	PIN	PIN Name	Description
J1:1_2PIN Power Interface (A2001AWR-02 2.0MM)	1	GND	GND
	6	+12V	DC12V±10%
J6:1_6PIN UART Interface (A1251-04A 1.25MM)	1	UART1_RX	TTL 3.3V, Serial Receive
	2	UART1_TX	TTL 3.3V, Serial Transmit
	3	GND	GND
	4	485_B	
	5	485_A	
	6	+3.3V	

---

**Hangzhou Savgood Technology Co., Ltd.**

Rm. 1201, Xincheng Fazhan Building #1, No. 406 Xintiandi Street,  
Gongshu District, Hangzhou City, 310022, China  
Tel: +86 - (571) 8803 8121  
Email: sales@savgood.com  
<http://www.savgood.com>  
<http://www.savgoodtech.com>

\*Design and specifications are subject to change without prior notification.  
© 2013 Savgood Technology Co., Ltd.